

Air/Gas Filters - to 175 psig @ -20 to 200°F

Enameled Carbon Steel ♦ **304 Stainless**



- Intake Air Flows to 70,000 SCFM Std.
- ASME U Stamp Std., Nat'l. Board Registered
- Low Pressure Drop
- Maximum Useful Filter Area and Dirt Holding Capacity
- Hinged Swing Bolt Closure, Easy Access, O Ring Seal
- 304SS Throat Safety Cages Standard
- ΔP Taps Standard
- Rugged Enameled Steel or 304SS Construction

These air and gas pipe line filters offer exceptional protection for compressed gas pipelines, air dryers, pneumatic controls, and other pipeline equipment. They are fabricated from rugged enameled carbon steel or 304SS, designed, constructed, and stamped, in accordance with ASME Boiler and Pressure Vessel Code requirements for unfired pressure vessels. Any model can be readily modified at your request to more exactly fit your needs.

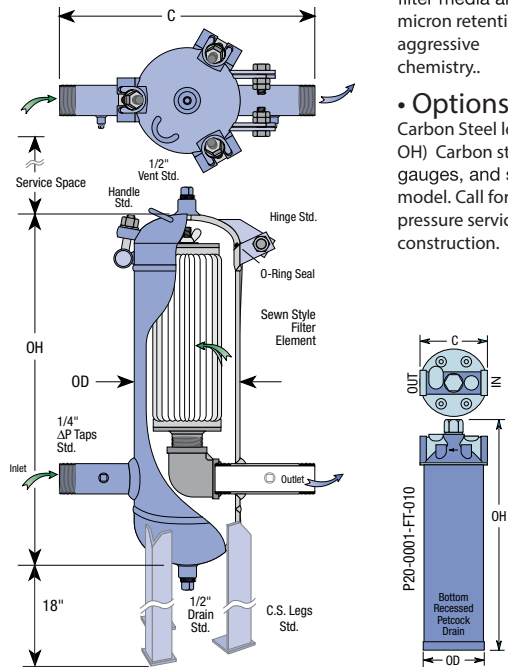
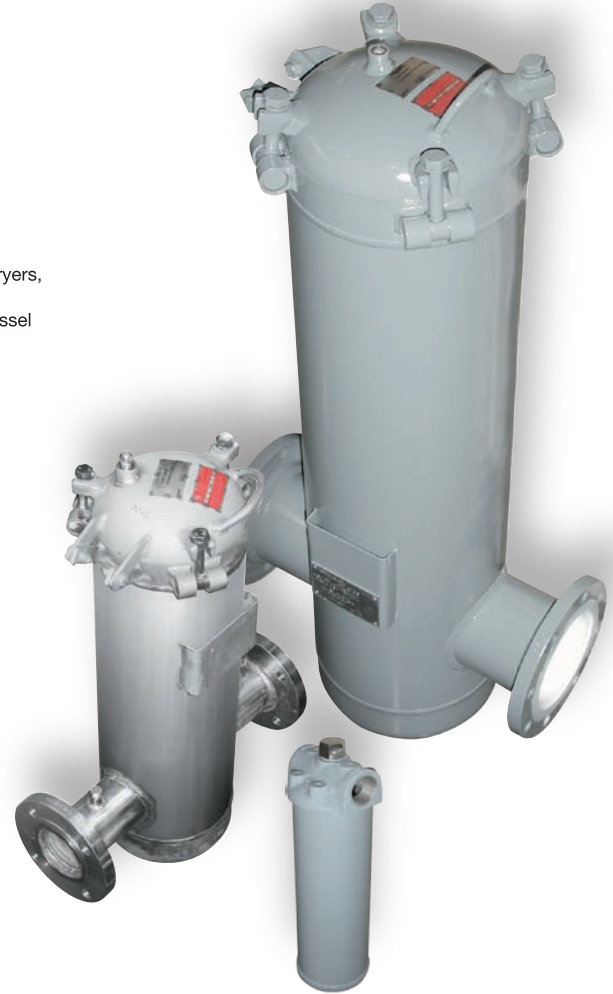
• **Standard Connection Sizes from 1" to 12"**

NPT or raised face flanges (RF) in-line connections are std. Alt. orientations & sizes are available upon request. A hinged swing bolt closure is standard on models P20-0002 & larger.

• **Recoverable Sewn or Ruber End Filter Elements.**

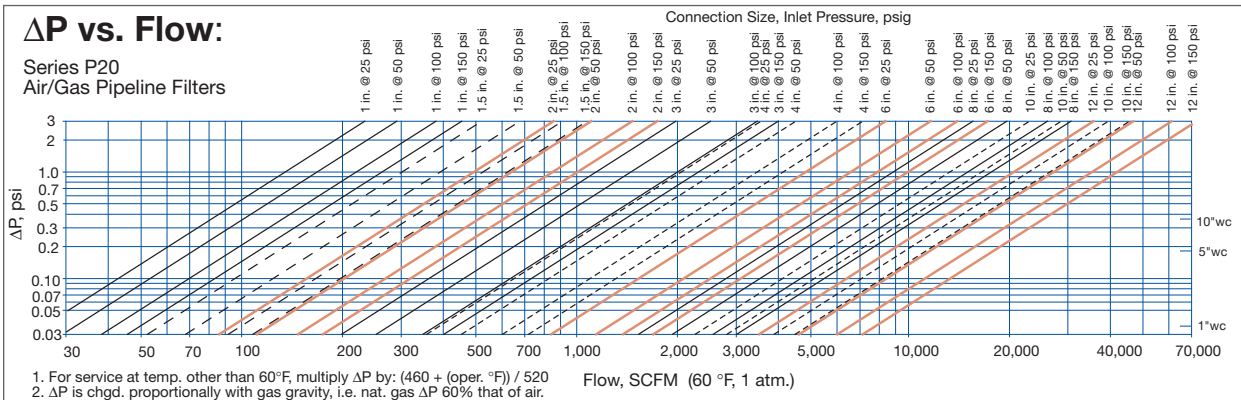
Classic radial fin textile media elements are unsurpassed for low ΔP, dirt holding capacity and efficiency. They stop particulates before they can move downstream. Select either recoverable 10μ Sewn End Filter Elements or 10μ long life low cost urethane rubber molded end elements, as your needs dictate to remove 98% of all airborne dust and dirt. Unlike PVC, our urethane rubber ends have no phthalate elastomers or other plasticizers. Dozens of alternative filter media are available for services having finer micron retentions, elevated temperatures and/or aggressive chemistry..

- **Options:** Large Models include Carbon Steel leg supports. (add 18" to OH) Carbon steel support legs in any length, gauges, and special finishes, are optional on any model. Call for information on vessels having other pressure services, 304SS, or other materials of construction.



Housing Model No.	Conn. Size	Conn. Type	Cover Style	Dimensions in Inches			Serv. Space	Wgt. Lbs.
				OD	OH	C		
FT-010	1"	FPT	T-Top	3-1/2	14-1/4	4	12	7
MT-015	1.5"	MPT	Swg Blt	6-5/8	28	16	16	80
MT-020	2"	MPT	Swg Blt	8-5/8	30	16	16	110
RF-030	3"	Flg.	Swg Blt	10-3/4	43	20	24	200
RF-040	4"	Flg.	Swg Blt	12-3/4	52	24	26	280
RF-060	6"	Flg.	Swg Blt	16	67	28	36	475
RF-080	8"	Flg.	Swg Blt	20	74	32	36	750
RF-100	10"	Flg.	Swg Blt	24	82	36	39	900
RF-120	12"	Flg.	Swg Blt					

*ASME Code Stamp not available on this model, ΔP Taps Not Available MAWP=250 psig @ 200°F



Precision Filtration Products • P.O. Box 218 Pennsburg, PA 18073

Phone: 215-679-6645 Fax: 215-679-6648 E-mail: sales@precisionfiltration.com web site: www.precisionfiltration.com