

HYDRA-CART 8 PORTABLE FILTER

8 GPM FLOW RATE CART



APPLICATION

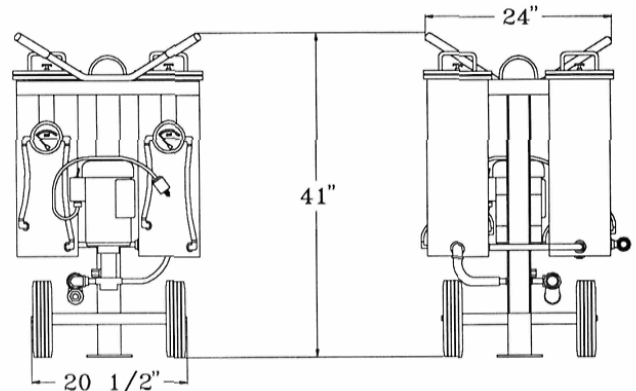
PFP offers a heavy duty, portable, dual-housing filter cart designed for industrial applications. Two stage filtration is of benefit for water removal or heavily contaminated fluids. Stage one may be used for initial contaminate removal, including water removal from petroleum base and synthetic fluids, and stage two for ultra fine filtration or further removal of water. The Hydra-Cart 8 can be used for the following:

- Pre-filtering of hydraulic fluid before input to a reservoir. Contamination of water and particulates from the drum can cause damage to components in hydraulic systems.
- Preventative maintenance of hydraulic systems. Routine titting helps maintain components and extend the life of the fluid.
- Reclamation of used fluids.

The Hydra-Cart 8 with Viton seals is compatible with petroleum base, fire retardant, and synthetic fluids. The Hydra-Cart 8 is not intended for use with flammable fluids. The maximum flow is 8 gpm/30 lpm. The maximum working pressure is 100 psi/6.9 bar for all applications.

FEATURES

- The pump has an internal by-pass valve. A pressure differential gauge monitors the element.
- The 1/2 HP motor is 115V single phase with capacitor start and thermal protection overload.
- Standard industrial quick disconnect plugs and sockets are included for ease of hose connection. Two types of suction and discharge hose and tube assemblies in 12' lengths are available.
- The heavy-duty 10 gauge steel housings are externally and internally epoxy coated for strength and durability. The covers to the housings are retained by four bolts.
- The Hydra-Cart Series utilize the same element measuring 6" in diameter by 18" in length.
- Elements are available in a wide range of media types in various micron ratings for all applications. The Ordering Information on the reverse side of this catalog specifies fluid compatibility for the



- Resin Impregnated Cellulose
- Water Absorbing
- Microglass
- Wire Mesh