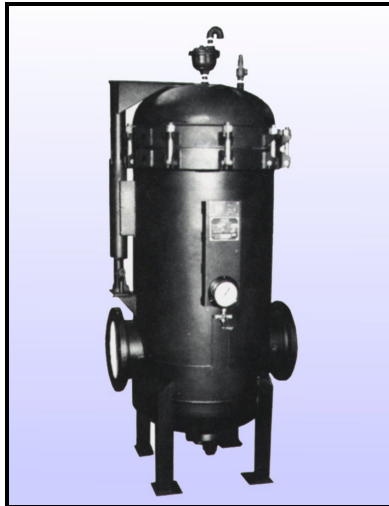
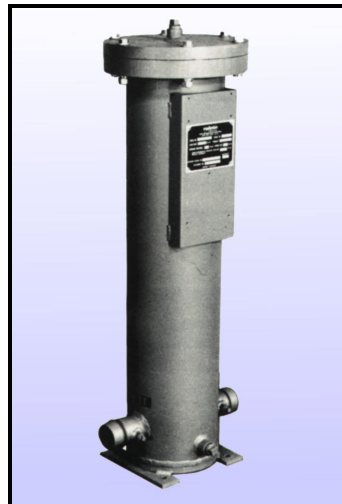


DESCRIPTION:

VF series fluid filters use industry standard pleated paper media to remove particulate to 0.5 microns. Vessels are vertical orientation. They can be constructed to house numerous cartridges within a variety of diameters to accommodate flow rates.



Left: Carbon steel VF-2829



Right: Carbon steel VF-829

FEATURES:

- Uses pleated paper media to remove solid particulate
- Designed to use industry standard cartridges

APPLICATIONS:

- Jet Fuels
- Diesel Fuels
- Gasoline
- Solvents
- Coolants
- Lubricating Oils
- Hydraulic Oils
- Processing Liquids

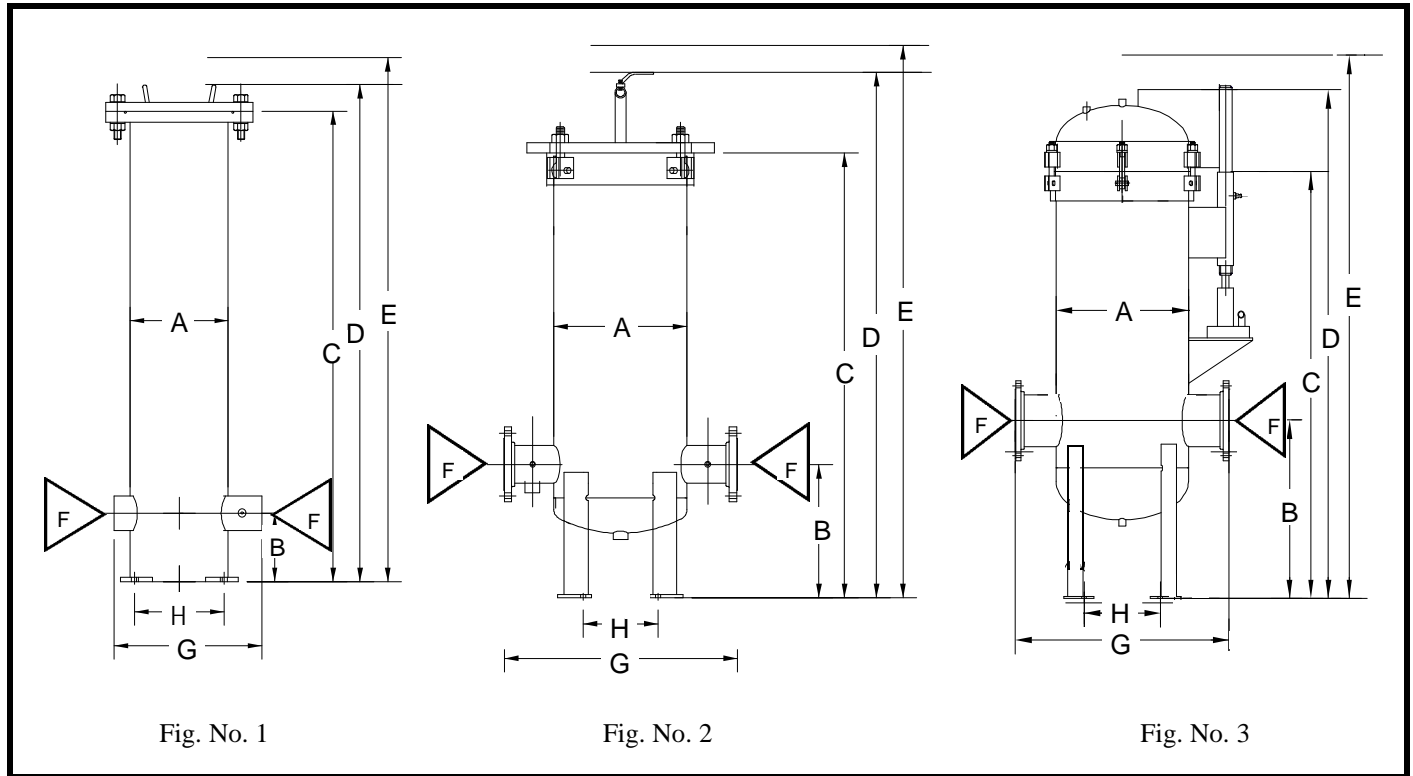
STANDARD DESIGN FEATURES:

- 150 psi welded carbon steel ASME Code construction
- Choice of filter efficiency from 0.5 to 75 microns
- Choice of pleated or depth type media.
- Epoxy coated interior, primed exterior
- Buna-N O-ring cover seals
- Swing bolt closure for 8" to 16"
- Hydraulic jack headlift for 16" and larger

RECOMMENDED ACCESSORIES:

- Automatic Air Eliminator
- Pressure Relief Valve
- Differential Pressure Gauge
- Drain Valve(s)
- Sampling Probes
- ASME Code Stamp

VF Series Fluid Filters



| Fig No. | Vessel Model No. | Elements Total Qty | Length | No. of Stools | Vessel OD | | | | | In/Outlet F | G | H | USGPM | Weight with skid, lbs. |
|---------|------------------|--------------------|--------|---------------|-----------|--------|--------|---------|--------|-------------|--------|--------|-------|------------------------|
| | | | | | A | B | C | D | E | | | | | |
| 1 | VF814 | 1 | 14 | 1 | 8-5/8 | 3 | 27-3/4 | 29-1/2 | 43 | 2 | 13 | 10-3/8 | 50 | 225 |
| 1 | VF829 | 1 | 29 | 1 | 8-5/8 | 3 | 41-3/4 | 43-1/2 | 58 | 2 | 13 | 10-3/8 | 100 | 265 |
| 1 | VF844 | 1 | 44 | 1 | 8-5/8 | 3 | 55-3/4 | 57-1/2 | 72 | 2 | 13 | 10-3/8 | 150 | 305 |
| 2 | VF1614 | 4 | 14 | 4 | 16 | 15 | 37-3/8 | 40-3/8 | 67 | 4 | 24-1/4 | 9 | 200 | 500 |
| 2 | VF1629 | 4 | 29 | 4 | 16 | 15 | 52-1/8 | 55-5/8 | 82 | 4 | 24-1/4 | 9 | 400 | 560 |
| 2 | VF2029 | 6 | 29 | 6 | 20 | 19-1/2 | 56-1/2 | 62 | 86 | 6 | 28 | 13 | 600 | 1000 |
| 2 | VF2044 | 6 | 44 | 6 | 20 | 19-1/2 | 71 | 76-3/8 | 113 | 6 | 28 | 13 | 900 | 1100 |
| 3 | VF2829 | 12 | 29 | 12 | 28 | 24 | 48-1/2 | 64-3/4 | 73 | 8 | 36 | 18 | 1200 | 1500 |
| 3 | VF2844 | 12 | 44 | 12 | 28 | 24 | 63-1/2 | 79-3/4 | 87-1/2 | 8 | 36 | 18 | 1800 | 1600 |
| 3 | VF3644 | 18 | 44 | 18 | 36 | 26 | 63-3/8 | 77 | 107 | 10 | 48 | 23 | 2700 | 2250 |
| 3 | VF4244 | 27 | 44 | 27 | 42 | 28 | 66 | 86-5/8 | 112 | 12 | 54 | 28 | 4050 | 3800 |
| 3 | VF5444 | 47 | 44 | 47 | 54 | 36 | 93-1/2 | 114-5/8 | 138 | 12 | 74 | 36-1/2 | 7000 | 6300 |

- Dimensions are in inches; dimensions are for estimating purposes only
- Dimension "E" is the clearance height required for cartridge change out
- Flow rates are based on 5-micron pleated paper elements for fluids with a viscosity of up to a maximum of 120 SSU and a clean pressure drop of 2 psi maximum.
- VF8 Series filters have flat covers. VF16 Series filters have domed covers without hydraulic jack. VF20 and greater have domed covers with hydraulic jacks.