

Facet SuperFlex housings are small, economical, carbon steel housings that may be used as filters, filter separators or air/gas separators depending on the cartridges used. Stainless steel construction is available. Contact your Facet Representative for details.

LIQUID FILTRATION

MS Series SuperFlex Filters remove solids from liquids, compressed air or natural gas. Facet’s M Series (high efficiency, screen wrapped or multi-pleated) cartridges, stacked 1, 2 or 3 high, are used.

LIQUID-LIQUID SEPARATION

VCS Series SuperFlex Filter Separators remove water and solids from gasoline, diesel fuel, fuel oil, insulating oil, kerosene, lube oils, solvents and many other petroleum based products where water content is a problem. This housing requires Facet Model CC-23-7 or CC-23C coalescer cartridges and Model CS-94 or CS-94C pleated paper separator cartridges, stacked 1, 2 or 3 high.

AIR/GAS SEPARATION

AGS Series SuperFlex Air/Gas Separators remove oil, water, mist and solids from compressed air or natural gas. This housing requires Facet Model CC-23-7 coalescer cartridge and Model CS-98-2 pleated paper separator cartridge.

STANDARD HOUSING DESIGNS

- Welded carbon steel construction
- ASME Code, Section VIII, Div. 1, stamped and certified
- Designed for 250 psi (17.57 kg/cm²) @ 250°F
- Main closure: Blind flange
- Head gasket: Buna-N o-ring—other materials available on request
- Vent connections: 3/4" NPT
- Drain connections: 3/4" 3000# NPT
- Inlet and outlet connections: 2" 3000# NPT
- Interior: Epoxy coated
- Exterior: Shop primer

OPTIONS

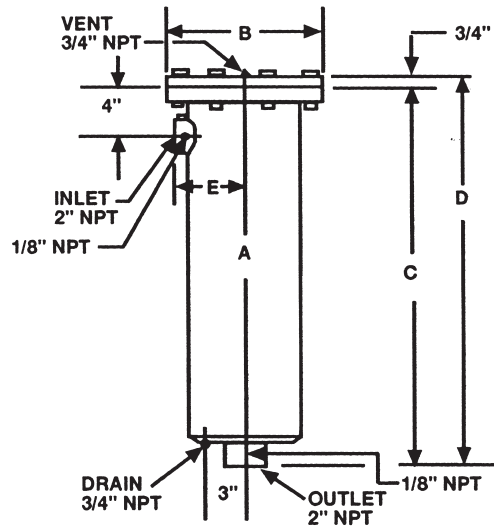
- 304 stainless steel construction
- Air eliminator
- Drain valve
- Pressure gauge assembly
- Pressure relief valve
- Adjustable support stand

Due to our continuing program of improvement, specifications are subject to change without notice.

DATA

HOUSING MODEL NUMBER	HOUSING ONLY PART NUMBER	ADAPTOR KIT MODEL NUMBER	ADAPTOR KIT PART NUMBER	HOUSING WEIGHT		HOUSING LIQUID VOLUME	
				lbs.	kgs.	gal.	ltr.
LIQUID FILTRATION							
MS-1C-A	675036	MS-1CK	690547	110	50	6.6	25.0
MS-2C-A	675037	MS-2CK	690534	125	57	10.0	37.9
MS-3C-A	675038	MS-3CK	691171	151	68	13.1	49.6
LIQUID-LIQUID SEPARATION							
VCS-1C-A	675036	VCS-1CK	676347	110	50	6.6	25.0
VCS-2C-A	675037	VCS-2CK	676348	125	57	10.0	37.9
VCS-3C-A	675038	VCS-3CK	676349	151	68	13.1	49.6
AIR/GAS SEPARATION							
AGS-1C-A	675036	AGS-1CK	676347	110	50	6.6	25.0
AGS-2C-A	675037	AGS-2CK	676348	125	57	10.0	37.9
AGS-3C-A	675038	AGS-3CK	676349	151	68	13.1	49.6

Weights and volumes are approximate.



DIMENSIONS

HOUSING	A		B		C		D		E	
	in.	mm.	in.	mm.	in.	mm.	in.	mm.	in.	mm.
1 High	8 ⁵ / ₈	219	11 ⁵ / ₈	295	31	787	31 ³ / ₄	806	5 ¹ / ₂	140
2 High	8 ⁵ / ₈	219	11 ⁵ / ₈	295	45 ¹ / ₂	1155	46 ¹ / ₄	1175	5 ¹ / ₂	140
3 High	8 ⁵ / ₈	219	11 ⁵ / ₈	295	59 ¹ / ₂	1511	60 ¹ / ₄	1530	5 ¹ / ₂	140

All dimensions are for estimating purposes only.

Due to our continuing program of improvement, specifications are subject to change without notice.