

“L” SERIES Cast Iron/Steel

- Lube Oils
- Coolants
- Fuels
- Paints – Lacquers
- Hydraulic Fluids
- Vegetable Oils

“BL” SERIES Bronze/Stainless

- Dyes
- Coolants
- Tar Oils
- Water
- Chemicals
- Glues - Adhesives

“SL” SERIES Stainless Steel

- Chemicals
- Pharmaceuticals
- Food Products
- Water
- Beverages
- Petrochemicals

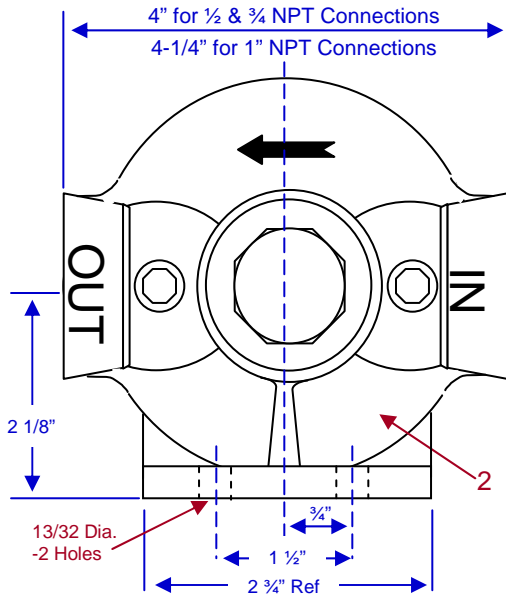


Low cost high quality filters for industrial and commercial service. Sump and centerpost are welded to the bottom investment casting to create a two piece construction. For user convenience vent and drain screws are standard. Housings accept from 3” to 30” nominal length cartridges. Units are available in two pressure ranges: 125#psi and 250#psi with port sizes from ¼” N.P.T. to 1” N.P.T. This unit is also available as a 3pc. Construction where total breakdown is a requisite to cleaning.

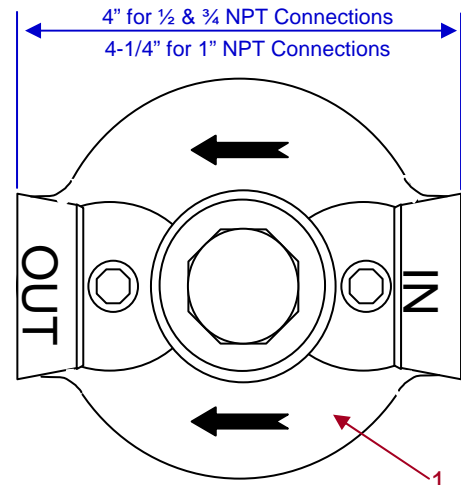
Capacity: 300 to 900 gph

LABOR SAVING OPTIONS

- Integrally cast mounting bracket
 - “T” handle head unit
 - Petcock drain



Head with Bracket



Plain Head

PARTS LIST			
ITEM NO.	PART NUMBER		DESCRIPTION
	125 PSIG	250 PSIG	
1	6001_*	6003_*	Plain Head (State Port Size)
2	6002_*	6004_*	Bracket Head (State Port Size)
3	6000	6000	Sump Ass. (State PSI & Length)
4	6028_*	6011_*	Top Nut
4A	6027_*	6026_*	"T" - Handle Top Nut
5	6012_*	6012_*	Vent & Drain Screws
6	6019_*	6016_*	Top Nut Gaskets
7	6017_*	6017_*	Vent & Drain Gaskets
8	6018_*	6018_*	Shell Gaskets

*_ Assign no. from following lists to identify material

METAL COMPONENTS

- 01- Cast Iron
- 02- Steel
- 03- Bronze
- 04- Stainless Steel

GASKETS:

- 01- Neoprene (1/6" thk.)
- 02- Viton "A" (")
- 03- Buna "N" (")
- 04- Teflon (")
- 05- Etholene Propelene (")
- 06- Hard Fiber (")
- 07- Neoprene (1/8" thk.)
- 08- Viton "A" (1/8" thk.)
- 09- Buna "N" (1/8" thk.)
- 10- Etholene Propelene (1/8" thk.)

