

P-EG stainless steel housing

Stainless steel gas filter housing in industrial quality.



Stainless steel housing P-EG – industrial quality

Product description:

P-EG filter housings have been developed for the purification of compressed air and other technical gases in industrial ranges of application. Due to the optimized construction they offer low differential pressure at high flow rates.

Numerous different sizes of housings with various connections make it possible to adopt the filter system to exactly the needed requirements. In this product series there are **18 different sizes** of housings for operating volume flows of 50 to 13.640 scfm related to 102 psig.

The plug connection guarantees that the elements remain safely fixed at all times. Due to the modular design different element types can be installed into the housing. That means, even if the demands will change, **we** will adapt as well.

Technical data

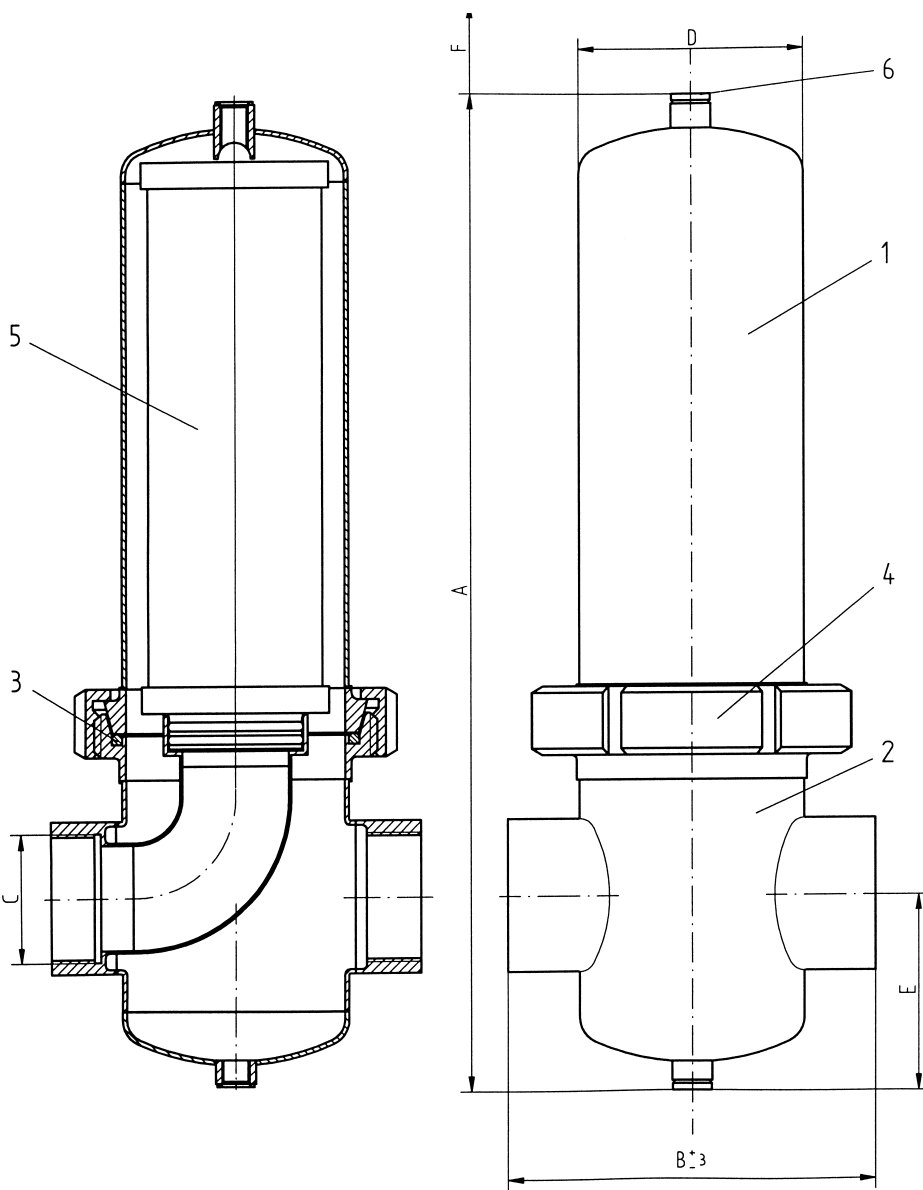
Materials:	
Filter housings:	stainless steel 304 or 316L
Clamp:	stainless steel 304
Plug:	stainless steel 304
Housing gasket:	EPDM (other gaskets on request)

Surface finish:	
inner:	
0006–0288	etched and passivated R _a 1.6
0432–1920	etched and passivated R _a 1.6
outer:	
0006–0288	etched, passivated, and polished R _a 1.6
0432–1920	etched and passivated R _a 1.6

Maximum operating pressure:	
0006–0192	230 psi
0288	175 psi
0432–1920	150 psi

Connection types:
NPT or BSP thread connection (standard for 0006–0288 single housing)
ANSI or DIN flange (standard starting at 0432; optional up to 0192)
Welded ends
Other connections and larger housings are available on request

Maximum operating temperature:
Depends on the gasket of the housing, up to 390 °F



with thread connection

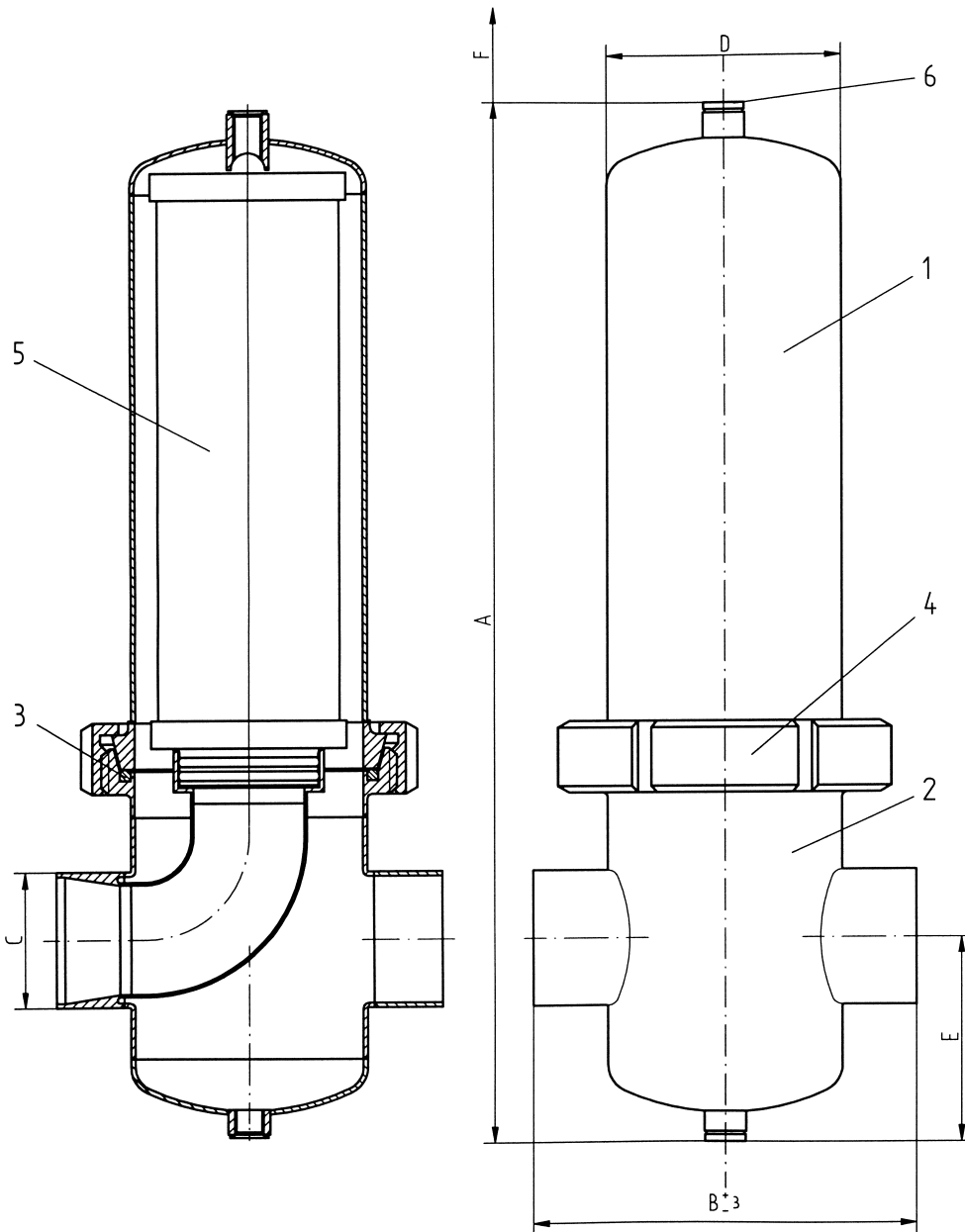
Pos.	Piece	Description
6	2	plug
5	1	filter element
4	1	nut
3	1	housing gasket
2	1	lower housing bowl
1	1	upper housing bowl

max. working pressure	
0006-0192:	230 psi g
0288:	175 psi g
test pressure	
0006-0192:	345 psi g
0288:	265 psi g
max. working temperature:	400 °F
material	
housing:	304/316 L
attaching parts:	304
surface finish:	inside R _a 40 µinch; pickled and passivated outside R _a 40 µinch; pickled, passivated and polished

Type	Volume gal	Weight* lbs	A inch	B inch	C	Ø D inch	E inch	F inch	Element
0006	0.1	4	8	4	1/4" NPT	3	2	4	03/10
0009	0.2	4	10	4	3/8" NPT	3	2	5	04/10
0012	0.2	4	10	4	1/2" NPT	3	2	5	04/20
0018	0.2	4	10	5	3/4" NPT	3	2	6	05/20
0027	0.3	6	12	5	1" NPT	3	3	6	05/25
0036	0.3	7	14	6	1 1/4" NPT	3	3	8	07/25
0048	0.6	9	15	7	1 1/2" NPT	4	4	8	07/30
0072	0.9	11	18	7	2" NPT	4	4	11	10/30
0108	1.1	12	23	7	2" NPT	4	4	18	15/30
0144	2.1	20	29	9	2 1/2" NPT	5	4	23	20/30
0192	2.9	24	39	9	3" NPT	5	4	33	30/30
0288	4.4	36	40	9	3" NPT	6	5	33	30/50

* without filter element

with butt welded end



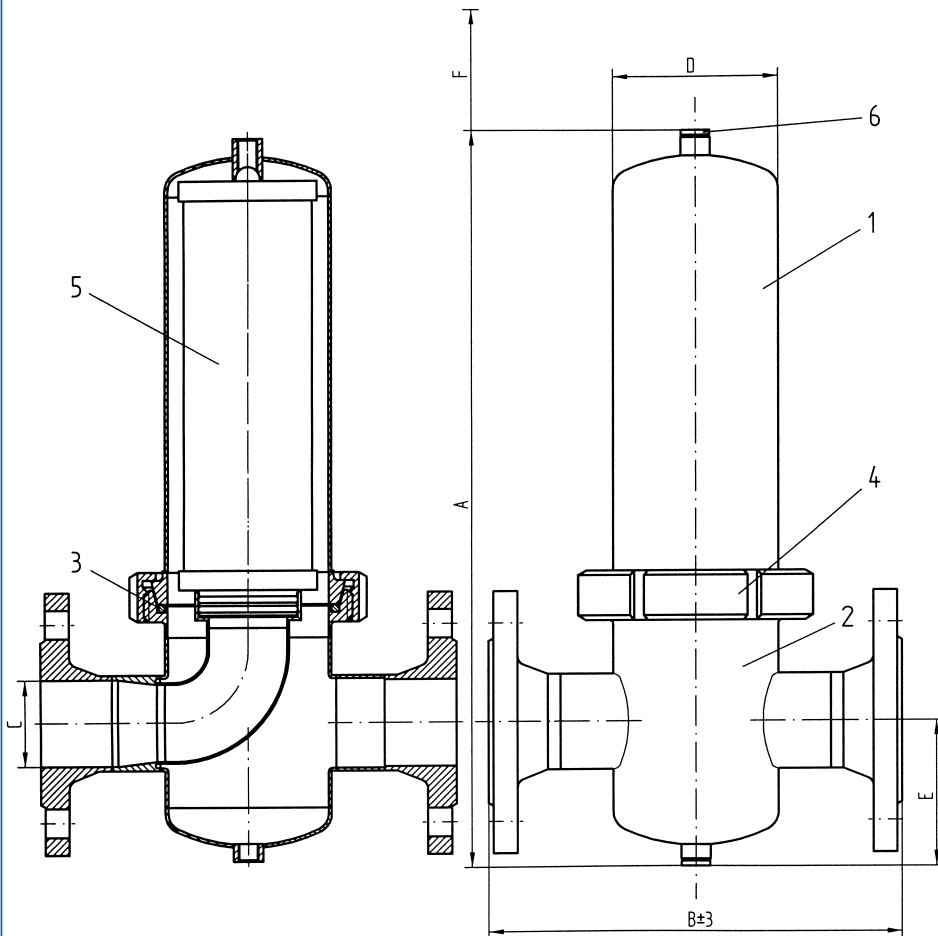
Pos.	Piece	Description
6	2	plug
5	1	filter element
4	1	nut
3	1	housing gasket
2	1	lower housing bowl
1	1	upper housing bowl

max. working pressure	
0006-0192:	230 psi g
0288:	175 psi g
test pressure	
0006-0192:	345 psi g
0288:	265 psi g
max. working temperature:	400 °F
material	
housing:	304/316 L
attaching parts:	304
surface finish:	inside R _a 40 µinch; pickled and passivated outside R _a 40 µinch; pickled, passivated and polished

Type	Volume gal	Weight* lbs	A inch	B inch	C Nominal Pipe Size	ØD inch	E inch	F inch	Element
0006	0.1	4	8	4	3/8"	3	2	4	03/10
0009	0.2	4	10	4	3/8"	3	2	5	04/10
0012	0.2	4	10	4	1/2"	3	2	5	04/20
0018	0.2	4	10	5	3/4"	3	2	6	05/20
0027	0.3	6	12	5	1"	3	3	6	05/25
0036	0.3	7	14	6	1 1/4"	3	3	8	07/25
0048	0.6	9	15	7	1 1/2"	4	4	8	07/30
0072	0.9	11	18	7	2"	4	4	11	10/30
0108	1.1	12	23	7	2"	4	4	18	15/30
0144	2.1	20	29	8	2 1/2"	5	4	23	20/30
0192	2.9	24	39	8	3"	5	4	33	30/30
0288	4.4	36	40	9	3"	6	5	33	30/50

* without filter element

with flange connection ANSI 150 lbs



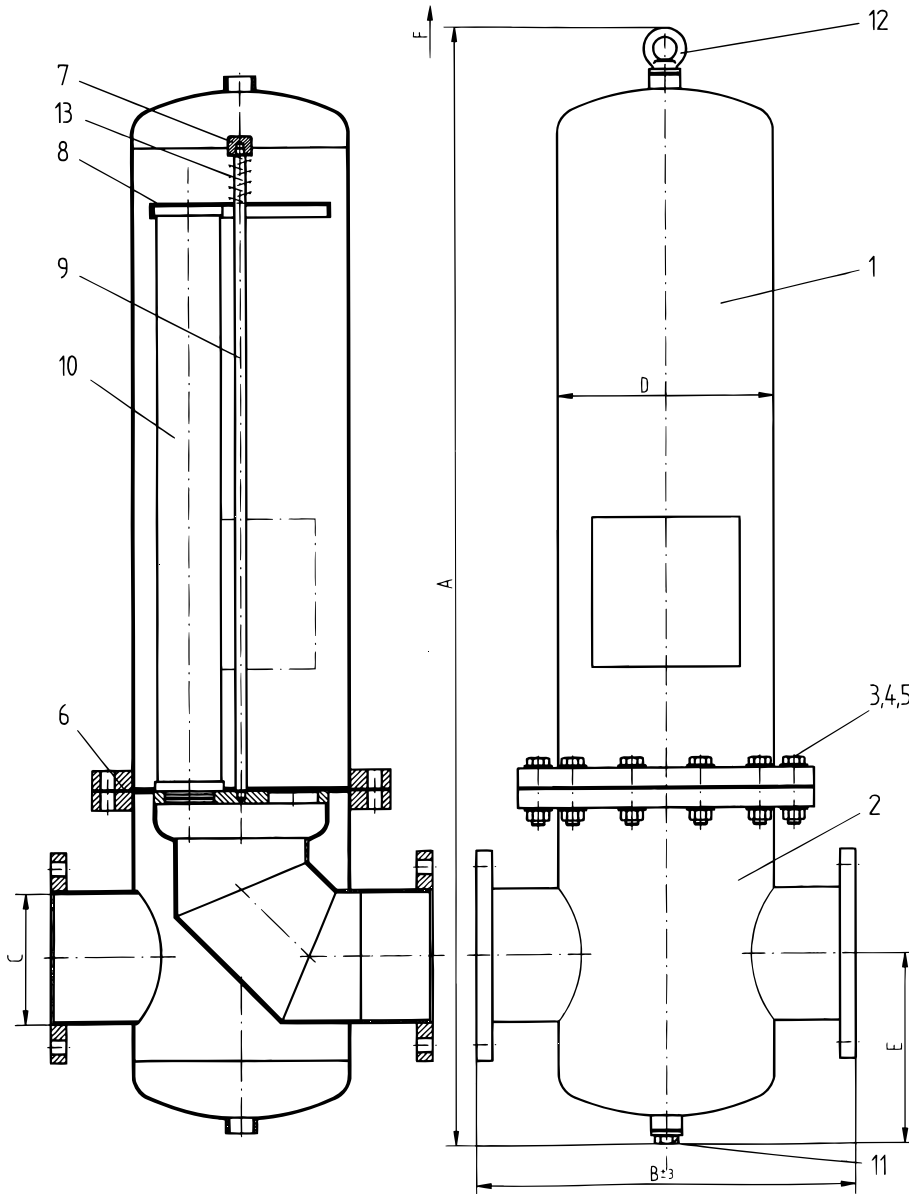
Pos.	Piece	Description
6	2	plug
5	1	filter element
4	1	nut
3	1	housing gasket
2	1	lower housing bowl
1	1	description

max. working pressure	
0006-0192:	230 psi g
0288:	175 psi g
test pressure	
0006-0192:	345 psi g
0288:	265 psi g
max. working temperature:	400 °F
material	
housing:	304/316 L
attaching parts:	304
surface finish:	inside R _a 40 µinch; pickled and passivated outside R _a 40 µinch; pickled, passivated and polished

Type	Volume gal	Weight* lbs	A inch	B inch	C 150 lbs ANSI B 16.5	D inch	E inch	F inch	Element
0006	0.1	6	8	8	1/2"	3	2	4	03/10
0009	0.2	6	10	8	1/2"	3	2	5	04/10
0012	0.2	7	10	8	1/2"	3	2	5	04/20
0018	0.2	9	10	9	3/4"	3	2	6	05/20
0027	0.3	11	12	10	1"	3	3	6	05/25
0036	0.3	14	14	10	1 1/4"	3	3	8	07/25
0048	0.6	18	15	11	1 1/2"	4	4	8	07/30
0072	0.9	22	18	12	2"	4	4	11	10/30
0108	1.1	23	23	12	2"	4	4	18	15/30
0144	2.1	33	29	13	2 1/2"	5	4	23	20/30
0192	2.9	40	39	13	3"	5	4	33	30/30
0288	4.4	52	40	15	3"	6	5	33	30/50

* without filter element

with flange connection ANSI 150 lbs



Pos.	Piece	Description
13		spring
12		lifting eye bolts
11		plug
10		filter element
9		anchor bolt
8		bracket plate
7		bracket bolt
6		gasket
5		nut
4		washer
3		hexagon bolt
2		lower housing bowl
1		upper housing bowl

max. working pressure:	150 psi g
test pressure:	225 psi g
max. working temperature:	400°F
material housing:	304/316 L
attaching parts:	304
surface finish:	pickled and passivated

Type	Volume gal	Weight* lbs	A inch	B inch	C 150 lbs ANSI B 16.5 inch	D inch	E inch	F inch	Element
0432	9.5	95	43	16	4"	9	8	23	3x20/30
0576	11.9	97	53	16	4"	9	8	33	3x30/30
0768	20.3	154	56	19	6"	11	9	33	4x30/30
1152	29.1	176	57	21	6"	13	10	33	6x30/30
1536	50.2	298	63	26	8"	16	12	33	8x30/30
1920	50.2	298	63	26	8"	16	12	33	10x30/30

* without filter element