

# OEM 100 PSI Liquid Bag Housing

flow rates to 220 g.p.m.

The OEM, 100 PSI Liquid Bag Housing offers a superb quality vessel for lower pressure applications. Our 100 PSI vessel has a dome base and includes all of the favorable features of our standard 150 PSI vessel.

## FEATURES

- Carbon or 304 stainless steel construction
- 100 PSI pressure rating
- Low pressure drop with #12 size bag
- 3-Bolt swing lid with eye nuts
- Buna lid seal
- Differential, drain, and vent ports
- Adjustable support legs
- Strainer basket
- 2 inch female NPT connections
- Side and bottom outlets
- Factory hydro-tested
- 2-part Epoxy Paint finish on carbon steel vessels



The OEM vessel effectively removes dirt, pipe scale, and other contaminants from process liquids such as water, chemical and petroleum products. Quality construction and design assure protection for all down-stream equipment.

## VESSEL CONSTRUCTION

The OEM model 88, 100 PSI vessel is designed for operating up to 100 PSI and 200 degrees Fahrenheit. The housing design provides a large sump area at the bottom of the basket for dirt and scale accumulation. This design utilizes the filter more efficiently and prolongs the element life.

The **bag** seals onto the side of the housing to eliminate particulate bypass between the basket and seat. Optional **mesh-lined strainer baskets** are available. Please refer to the pricing brochure #LBH8S-OEM in our liquid catalog.

A **vent** in the housing lid speeds evacuation and filling. **Gauge ports** are located on the body of the housing to install gauges for monitoring the differential pressure across the bag. Permanently piped housings are opened with simple tools without disturbing the piping. **Swing bolts** with eye-nuts allow easy opening and closing of swing-lid. **No need to remove any hardware.**

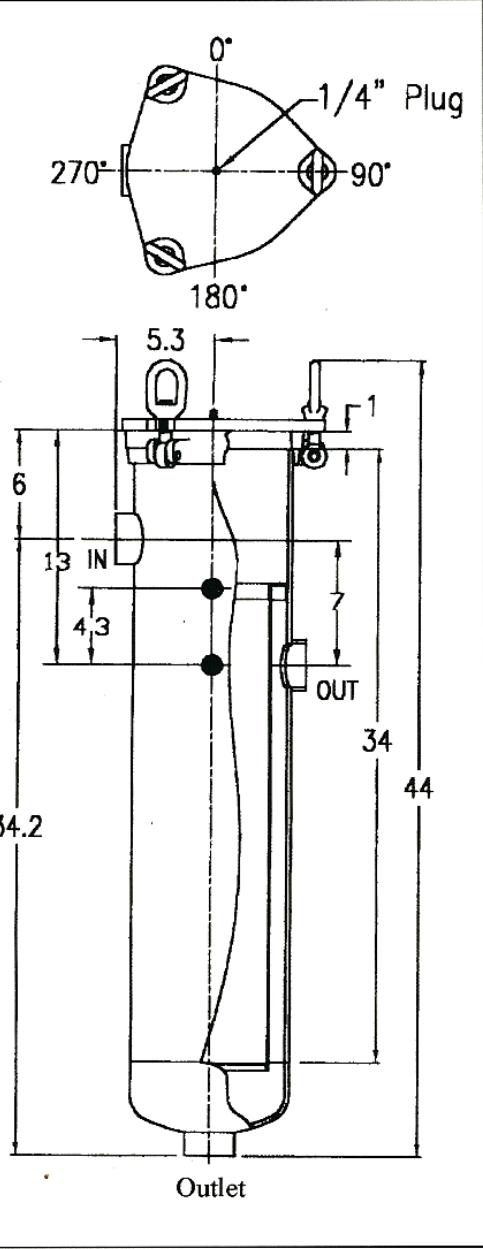
As a standard finish, all vessels are blast cleaned and painted inside and out with a **2-part epoxy**. Stainless steel vessels are supplied with a satin finish.

PRECISION FILTRATION PRODUCTS • P.O. BOX 218 PENNSBURG, PA 18073

PHONE: 215-679-6645 • FAX: 215-679-6648 • [www.precisionfiltration.com](http://www.precisionfiltration.com)

**YOUR ONE STOP FOR FILTERS.**  
All dimensions are approximate.

Housing lid has a 3-bolt swing closure with a vent port. Connections are 2 inch NPT with a side inlet and side or bottom outlets. Housing is supplied with two differential pressure ports to measure the differential pressure across the filter bag. A two-part epoxy finish is applied on the carbon steel vessels to maximize the life of the housing; stainless steel vessels are supplied with a satin finish. Basket material is manufactured from either 304 stainless steel or carbon steel with 9/64" perforations to act as a strainer or to accept a #12 size liquid bag. Adjustable tripod leg assembly is supplied with housing. Vessels are rated at a 100 pounds per square inch design.



Housing Part #	Basket Depth (in.)	Pipe Size (in.)	Conn Type	Housings and Basket Material
M88302NABC10	30	2	NPT=N	Carbon=C
M88302NAB410	30	2		304SS=4
<b>#12 Size Bag Data</b>				
30" length	8" diameter	5.5 sq. ft. Surface area		

*Note: this housing requires a standard #12 size liquid filter bag.*

**ADJUSTABLE SUPPORT LEGS**  
Have a 12" bolt circle and a 16" height adjustment. Overall Length is 22".

