

# Model T88 Single Liquid Bag Housing

The Model T88 top flow housing is offered in two depths: 15" and 30" depending upon the needed surface area and volume of fluid to be filtered.

## FEATURES

- Carbon, 304 or 316 stainless steel construction
- 150 PSI pressure rating
- Low pressure drop
- Quick swing closure with eye nuts
- Differential, drain and vent ports
- Adjustable support legs
- 304 stainless steel basket
- 2-part Epoxy Paint finish on carbon steel vessels

Our Top Flow vessel effectively removes dirt, pipe scale, and other contaminants from process liquids such as water, chemical and petroleum products. Quality construction and design assure protection for all down-stream equipment.



## VESSEL CONSTRUCTION

Our Top Flow model T88, 150 PSI vessel is designed for operating up to 150 PSI at 300 degrees Fahrenheit. The housing design provides a large sump area at the bottom of the basket for dirt and scale accumulation. This design utilizes the filter more efficiently and prolongs the element life.

The **basket** seals onto the housing to eliminate particulate bypass between the basket and seat. Optional **mesh-lined strainer baskets** are available. Please refer to the pricing brochure #LBHT in our liquid catalog.

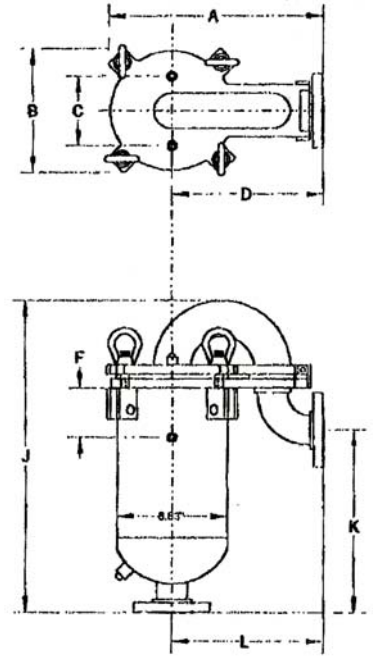
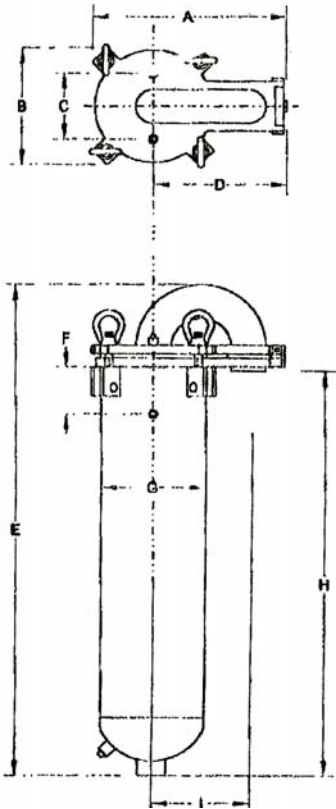
A **vent** in the housing lid speeds evacuation and filling. **Gauge ports** are installed on the housing for monitoring the differential pressure across the bag. Permanently piped housings are opened with simple tools without disturbing the piping. **Swing bolts** with eye-nuts allow easy opening and closing of the swing-lid. No need to remove any hardware.

As a standard finish, all vessels are blast cleaned and carbon steel housings are painted inside and out with a 2-part epoxy. Stainless steel vessels are supplied with a satin finish.

# T88 Single Liquid Bag Housing Line Drawing

## SPECIFICATIONS

Housing lid has a 4-bolt swing closure with a vent port. Connections are top inlet and bottom outlet. Housing is supplied with two differential pressure ports to measure the differential pressure across the filter bag. A two-part epoxy finish is applied on the carbon steel vessels to maximize the life of the housing; stainless steel vessels are supplied with a satin finish. Basket material is manufactured from 304 stainless steel with 9/64" perforations to act as a strainer or to accept a liquid bag. Adjustable tripod leg assembly is supplied with housing. Vessels are rated at a 150 pounds per square inch design.



Model										Model										
	A	B	C	D	E	F	G	H	I		A	B	C	D	G	J	K	L		
N P T	T88-15	16	10	6	11	23	4	8.63	15	8	F L G	T88-15	17.75	10	6	12.25	8.63	23.5	11.25	12.75
	T88-30	16	10	6	11	41	4	8.63	33	8		T88-30	17.75	10	6	12.25	8.63	41.5	29.25	12.75

## Building a Part Number for Model T88

<b>LT88</b>	<b>30</b>	<b>2</b>	<b>N</b>	<b>A</b>	<b>C</b>	<b>15</b>
Housing Model #	Basket Size (in.)	Conn. Size (in.)	Conn Type	Outlet Location	Material	PSI
L88	15 30	2	NPT=N Flange=F	Style=A	Carbon=C 304SS=4 316SS=6	150=15

**P**recision **F**iltration **P**roducts  
YOUR ONE  FOR FILTERS.

Distributed By: