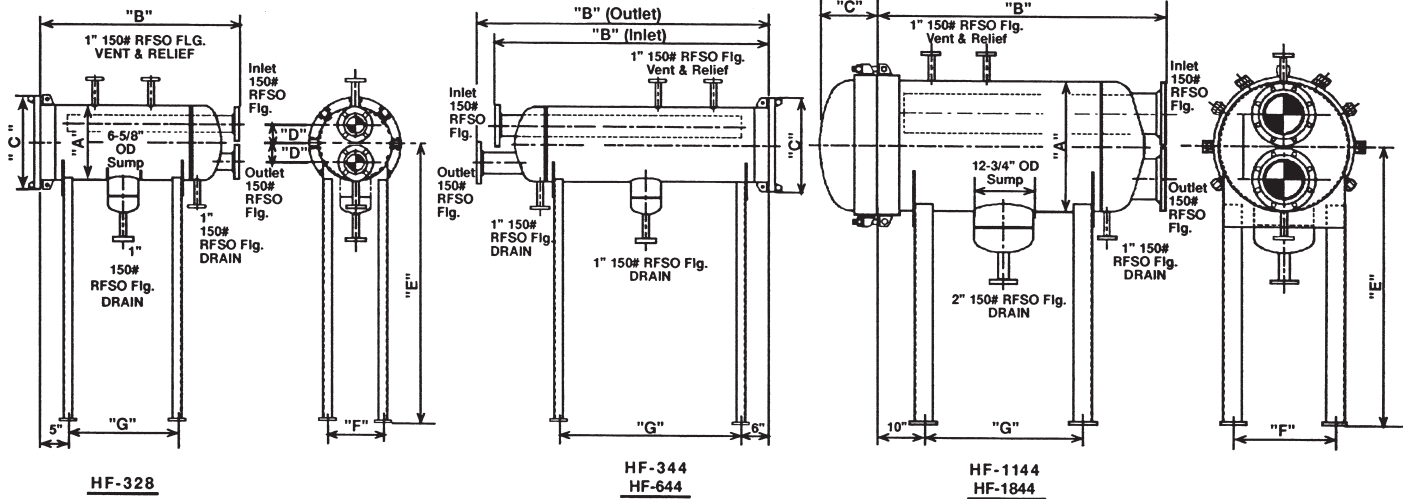


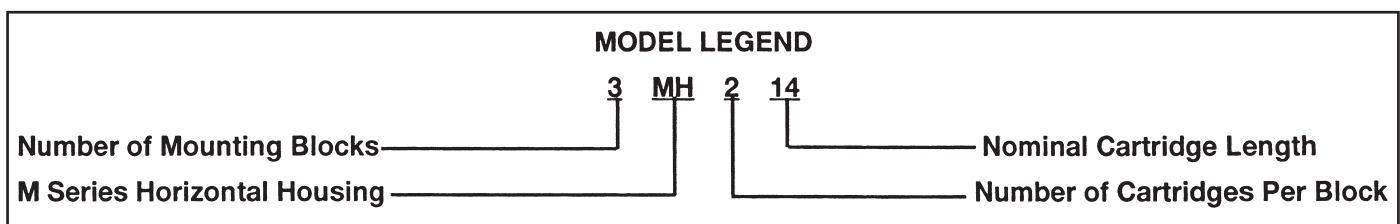
# M Series Horizontal Filter Housings



MODEL NUMBER	INLET/OUTLET		DIMENSIONS													
			A		B		C		D		E		F		G	
	in.	mm.	in.	mm.	in.	mm.	in.	mm.	in.	mm.	in.	mm.	in.	mm.	in.	mm.
3MH-214	3	76	16	406	inlet 44 <sup>3</sup> / <sub>8</sub>	1127	20	508	4	102	60	1524	12	304	24	610
3MH-314	4	102	16	406	inlet 62 <sup>3</sup> / <sub>8</sub> outlet 65 <sup>3</sup> / <sub>8</sub>	1584	20	508	4	102	60	1524	12	304	40	1016
6MH-314	6	152	20	508	inlet 62 <sup>3</sup> / <sub>4</sub> outlet 66 <sup>3</sup> / <sub>4</sub>	1594	24	610	5 <sup>3</sup> / <sub>8</sub>	137	60	1524	15	381	40	1016
11MH-314	8	203	28	711	63	1600	12 <sup>9</sup> / <sub>16</sub>	319	7	178	60	1524	22	559	35	889
18MH-314	10	254	36	914	67	1702	15 <sup>13</sup> / <sub>16</sub>	402	9	229	60	1524	28	711	30	889

NOTES:

1. All dimensions are approximate and should be used for estimating only.
2. Cartridges are selected separately to fit specific application requirements.
3. Other size vessels available on request.



*Due to our continuing program of improvement, specifications are subject to change without notice.*