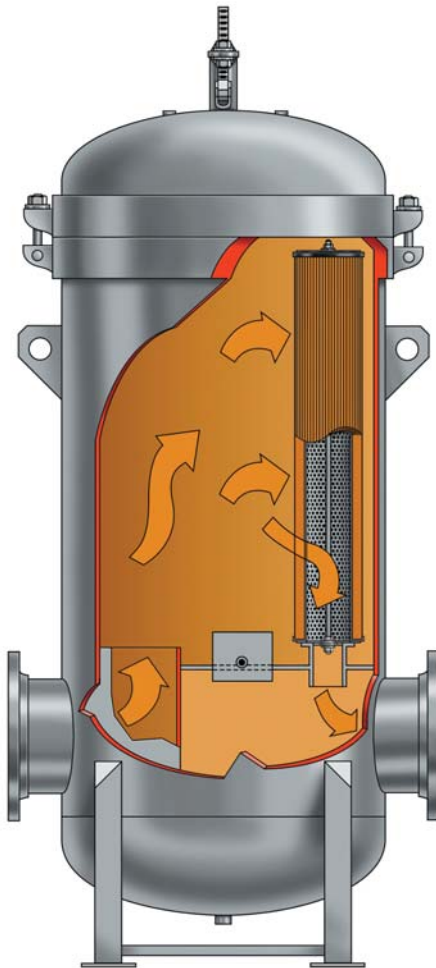


## M Series Filter Housings



Facet filter housings are specifically designed to remove solid particles such as rust, dirt, pipe scale, sand and metal from fuel. They are commonly located ahead of clay treaters and filter separators to protect and prolong cartridge life. The product flows through the housing inlet chamber and up through the equalizer tube. The equalizer tube evenly distributes the product through each cartridge. A single pass through the filter allows clean product to flow downstream.

Facet filter housings will continuously remove solids from fuel when used with Facet standard single, double or triple-length M Series high efficiency filter cartridges. Housings are designed for easy servicing and low maintenance. All are built to ASME Code, Section VIII, with many standard and optional accessories and connections available to facilitate individual installation requirements. Facet filters provide a complete system to meet industry standards and levels of effluent purity required by commercial airlines, major oil companies and governments, worldwide.

M Series filter housings use any of Facet's Series M high efficiency filter cartridges. A single pass of product through the system removes solids such as rust, dirt, scale, granules and other particles commonly found in liquid process streams.

M Series filter housings are available in three styles in several standard sizes to accommodate specific flow and filtration requirements. They are designed with no internal moving parts to provide easy service and reduced maintenance costs. Each housing is manufactured using quality materials and workmanship to give long-lasting, dependable service.

M Series filter housings can be fitted with either multiple single-length cartridges, stacked 1, 2 or 3 high or their double-length or triple-length equivalents.

### STANDARD DESIGN FEATURES

- Body: Welded carbon steel construction—other materials available on request
- ASME Code, Section VIII construction, stamped and certified
- Designed for 150 psi @ 250°F—higher pressure and temperature ratings available on request
- Head closures: Style 1—thru-bolt  
Styles 2 and 3—swing bolt
- Buna-N closure gasket —other materials available on request
- Rod mount cartridge hardware
- Knife edge cartridge mounting seals
- Headlift furnished on 20" (508 mm) and larger
- Inlet and outlet permanently marked
- Exterior: Prime coated
- Interior: Epoxy coated

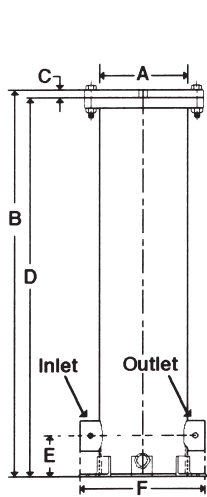
### STANDARD CONNECTIONS

- Inlet and outlet: Style 1—3000# NPT  
Style 2 and 3—150# RF (ANSI) flanged
- Side and bottom drain: 3000# NPT
- Vent and relief valve: 3/4" 3000# NPT
- Pressure gauge: 1/4" 3000# NPT

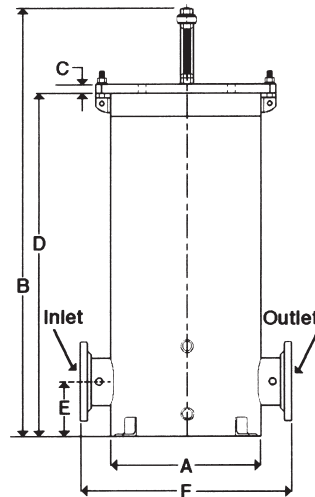
### OPTIONS

- Air eliminator
- Differential pressure gauge
- Pressure relief valve
- Manual drain valve

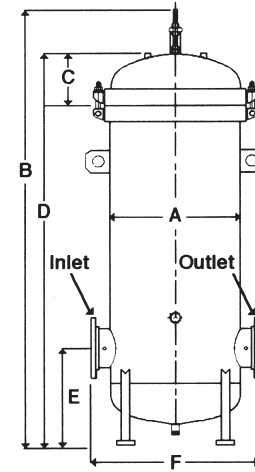
*Due to our continuing program of improvement, specifications are subject to change without notice.*



STYLE A



STYLE B



STYLE C

DATA

MODEL NUMBER	(3) MAXIMUM FLOW RATE		CONNECTIONS						ANCHOR BOLT PLAN				LIQUID VOLUME		WEIGHT WITH CARTRIDGES		
			INLET/OUTLET		SIDE DRAIN		BOTTOM DRAIN		BOLT HOLE DIAMETER		BOLT CIRCLE						NO. OF BOLT HOLES
	gpm	lpm	in.	mm.	in.	mm.	in.	mm.	in.	mm.	in.	mm.	gal.	ltr.	lbs.	kgs.	
1M-114	66	250	2	51	N/A	N/A	3/4	19	7/8	22	11 5/8	295	3	5	19	175	79
1M-214	133	503	2	51	N/A	N/A	3/4	19	7/8	22	11 5/8	295	3	8	30	195	88
1M-314	200	757	2	51	N/A	N/A	3/4	19	7/8	22	11 5/8	295	3	11	42	215	98
2M-314	400	1514	4	102	3/4	19	3/4	19	7/8	22	17	432	4	36	136	500	227
3M-314	600	2271	4	102	3/4	19	3/4	19	7/8	22	19	483	4	48	182	550	249
4M-314	800	3028	6	152	3/4	19	3/4	19	7/8	22	21	533	4	62	235	860	390
6M-314	1200	4542	6	152	3/4	19	3/4	19	7/8	22	23	584	4	78	295	940	426
11M-314	2200	8327	8	203	1 1/2	38	1	25	7/8	22	25 1/4	641	4	175	662	1280	581
18M-314	3600	13626	10	254	1 1/2	38	1	25	7/8	22	32 5/8	829	4	350	1325	1975	896
27M-314	5400	14267	12	305	1 1/2	38	1 1/2	38	1	25	47 1/2	1206	4	538	2044	2840	1288

Other sizes available on request.

DIMENSIONS

MODEL NUMBER	DIMENSIONS <sup>(3)</sup>												HOUSING TYPE
	A		B		C		D		E		F		
	in.	mm.	in.	mm.	in.	mm.	in.	mm.	in.	mm.	in.	mm.	
1M-114	8 5/8	219	24 1/4	616	3/4	19	23 1/2	586	4	102	12 3/8	314	Style A - Flat
1M-214	8 5/8	219	38 3/4	984	3/4	19	38	965	4	102	12 3/8	314	Style A - Flat
1M-314	8 5/8	219	54 1/2	1378	3/4	19	53 1/2	1359	4	102	12 3/8	314	Style A - Flat
2M-314	14	355	62 1/4	1581	1	25	53 1/2	1359	6	152	24	610	Style B - Flat
3M-314	14	355	62 1/4	1581	1	25	53 1/2	1359	6	152	24	610	Style B - Flat
4M-314	16	406	63 3/4	1619	1	25	55	1397	7 1/2	191	26	660	Style B - Flat
6M-314	20	508	73 1/4	1861	1 1/4	32	62 3/4	1594	7 1/2	191	28	711	Style B - Flat
11M-314	28	711	99 1/4	2521	11 1/4	286	89 1/4	2267	24	610	36	914	Style C - Dished
18M-314	36	914	106 3/4	2711	14 1/4	362	95 1/4	2419	26	660	48	1219	Style C - Dished
27M-314	42	1067	124 1/2	3162	16 3/4	425	98 3/4	2508	29 1/2	749	54	1371	Style C - Dished

All dimensions, weights and volumes are approximate and are for estimating purposes only.

NOTES:

- Cartridges are selected separately to fit specific application requirements.
- Multiple stack cartridges can be replaced with one single-length equivalent. For example: 1M-214 = 1M-128 or 6M-314 = 6M-143, etc.
- Consult factory for flow rates when using API/IP-1590 Qualified Elements.

Due to our continuing program of improvement, specifications are subject to change without notice.