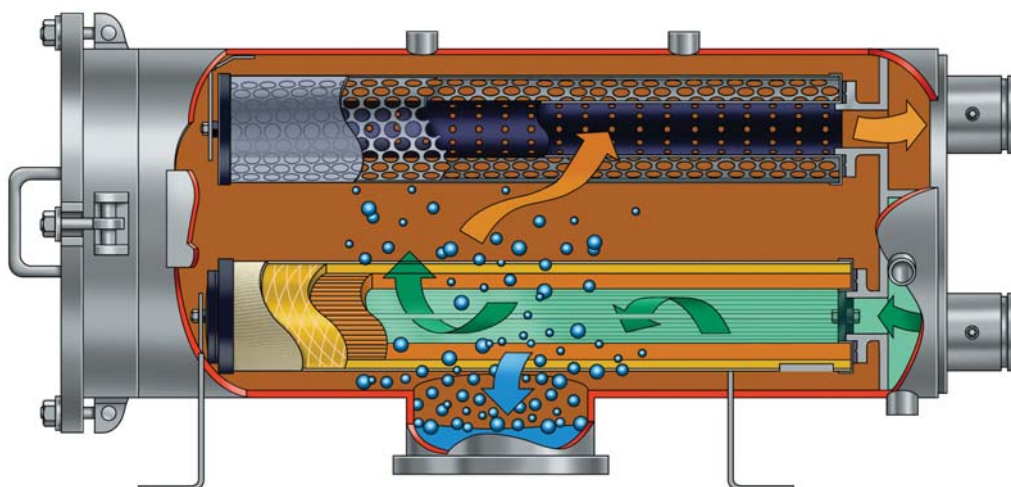


# Horizontal Coalescer Separators for Mobil Equipment API-1581, Category C, Type S & SLD, 5th Edition

## HCS Series (End Opening)



Facet HCS Series (end opening) two-stage horizontal coalescer separator housings are mechanical devices to filter solids and separate water from fuels where water content is a problem. They have been qualified after full-scale, witnessed testing to the Fifth Edition of API Bulletin 1581. Using Facet high quality coalescer and separator cartridges, they provide the best water and solids removal.

### RELIABLE PERFORMANCE

Facet coalescer separators are a result of over 50 years of continuous research and development to meet the ever demanding performance requirements in the aviation fuel handling industry. This, along with proven field performance, demonstrates Facet's ability to provide quality products that meet current specifications as well as specific customer requirements for installations in refineries, bulk storage, terminals, heliports, airports, etc.

### STANDARD HOUSING DESIGN

- Welded carbon steel construction—other materials available on request
- ASME Code, Section VIII construction, stamped and certified
- Design pressure: 150 psi @ 250°F—other design pressures available on request
- Inlet, outlet and drain connections permanently marked
- Interior: Epoxy coated (MIL-C-4556)
- Exterior: Prime coated
- Swing bolt head closures
- Hinged end opening cover furnished on 24" (610 mm) OD and larger
- Victaulic inlet and outlet connections
- Buna-N o-ring closure seal
- Choice of rod or screw base coalescer cartridge mounting styles
- Knife edge cartridge mounting seals
- 4" inlet/outlet cleanout/inspection connections (when permitted by design)
- Spider plate attached to vessel wall

### OPTIONS

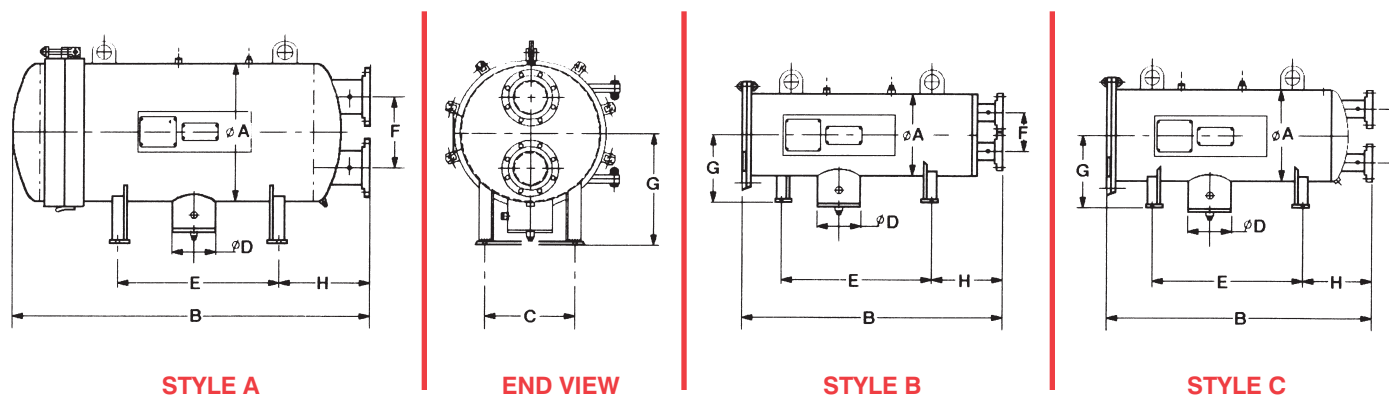
- \* Water defense system
- \* Automatic air eliminator with check valve
- \* Pressure relief valve
- \* Differential pressure gauge
- Pilot control valve
- Blind cover for pilot control mounting flange
- Sampling probe

(\* Mandatory for 5<sup>th</sup> Edition)

*Due to our continuing program of improvement, specifications are subject to change without notice.*

# Horizontal Coalescer Separators for Mobil Equipment API-1581, Category C, Type S & SLD, 5th Edition

## HCS Series (End Opening)



### DATA

MODEL NUMBER <sup>(1)</sup>	FLOW RATE		REQUIRED CARTRIDGES				HOUSING LIQUID VOLUME		HOUSING DRY WEIGHT		HOUSING TYPE
	AVIATION FUEL API 1581, CATEGORY C, TYPE S & SLD		COALESCER		SEPARATOR*		gals.	ltrs.	lbs.	kgs.	
	gpm	lpm	qty.	model	qty.	model					
HCS-222-1324	100	400	2	CAA22-5SB	1	SS324FA-5	20	75	450	205	Style B - Flat
HCS-322-1422	150	567	3	CAA22-5SB	2	SS422FB-5	28	105	475	215	Style B - Flat
HCS-333-1436	243	946	3	CAA33-5SB	1	SS436FB-5	38	143	500	227	Style B - Flat
HCS-343-133	300	1135	3	CAA43-5SB	1	SS633FB-5	56	211	775	352	Style B - Flat
HCS-443-143	400	1514	4	CAA43-5SB	1	SS643FF-5	70	264	800	363	Style B - Flat
HCS-556-233	600	2271	5	CAA56-5SB	2	SS633FF-5	118	446	1350	613	Style A - Dished
HCS-756-248	1000	3785	7	CAA56-5SB	2	SS648FF-5	170	643	1450	657	Style A - Dished

Other sizes available on request.

\*Separators: If preferred, Teflon® separator cartridges can be used in place of Synthetic. The separator cartridge model number's prefix would change from **SS** to **ST**.

Example: SS644FD-5 would change to ST644FD-5

### DIMENSIONS

MODEL NUMBER <sup>(1)</sup>	INLET/ OUTLET DIAMETER		DIMENSIONS <sup>(2)</sup>															
			A		B		C		D		E		F		G		H	
	in.	mm.	in.	mm.	in.	mm.	in.	mm.	in.	mm.	in.	mm.	in.	mm.	in.	mm.	in.	mm.
HCS-222-1324	2	51	14	356	35½	902	40	1016	10½	267	18	457	9	229	8⅝	219	4½	114
HCS-322-1422	3	76	16	406	35½	902	40	1016	11½	292	18	457	11	279	8⅝	219	5	127
HCS-333-1436	3	152	16	406	47	1192	52	1321	11½	292	30	762	11	279	8⅝	219	5	127
HCS-343-133	4	152	18	457	61¼	1530	61½	1562	12½	318	38	965	14	356	8⅝	219	5	127
HCS-443-143	4	152	20	508	61¼	1530	61½	1562	13½	343	38	965	14	356	8⅝	219	6	152
HCS-556-233	6	203	22	559	74¼	1886	85	2159	14½	368	45	1143	15	381	8⅝	219	6	152
HCS-756-248	6	203	26	660	74¾	1900	86½	2197	16½	419	45	1143	18	458	8⅝	219	8	203

All dimensions, weights and volumes are approximate and are for estimating purposes only.

#### REFERENCE NOTES:

- (1) Model numbers include housing and required cartridge mounting.
- (2) Dimensions are based on standard 150 psi housing design pressure, are approximate and should not be used for installation purposes.

#### NOTES:

- a. All elements are mounted against knife edge seals.
- b. Nameplate to be stamped with API classified data.
- c. Inlet chamber to be hydrostatic tested at 115 psi.
- d. Coalescer cartridges are offered with a choice of rod or screw base mounting. The suffix "SB" will be added to the coalescer model number when screw base is required.

Example: CAA33-5 = Rod Mount  
CAA33-5SB = Screw Base

Due to our continuing program of improvement, specifications are subject to change without notice.