

# COMPACT "L" STYLE INLET VACUUM AIR FILTERS

## "VH" Series 3/8" - 3" FPT



### FEATURES & SPECIFICATIONS

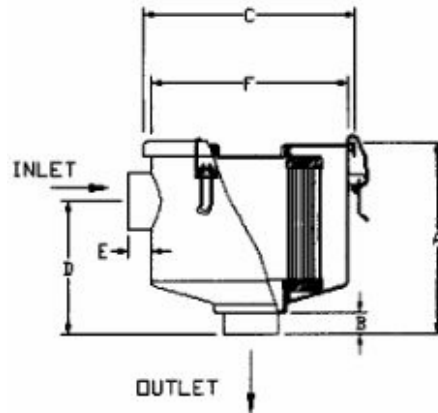
- 99%+ removal efficiency std: Paper=2 micron, Polyester=5 micron
- Filter change out differential: 10"-15" in. H<sub>2</sub>O above initial Delta P
- Positive sealing O-ring seal system
- Rugged all steel construction with baked enamel finish
- Stainless steel torsion clips for durability
- Vacuum level: Typically 1x10<sup>-3</sup> mmHg (1.3x10<sup>-3</sup> mbar)
- Brazed fittings for high vacuum duty
- Low pressure drop
- Pressure drop graphs available upon request
- Seamless drawn housings
- Temp (continuous): min -15° F ( -26° C) max 220° F (104° C)

### OPTIONS

- Activated carbon prefilter to reduce odor
- Alternate Top-to-canister fastening system for low pressure or pulsating systems
- Larger sizes available
- Special connections
- Available in *Stainless Steel*
- Epoxy coated housings
- Support brackets
- Vacuum gauge available
- Extra tap fittings for vacuum gauge
- Various elements available

### APPLICATIONS

- Blowers-Side Channel
- Factory Automation
- Leak Detection
- Medical
- Printing Industry
- Soil Venting/Remediation
- Vacuum Lifters
- Vacuum Packaging
- Vacuum Pumps & Systems
- Woodworking



Model Number	Element Type	Inlet in. NPT or FLG	Outlet in. NPT or FLG	Connection Style	Dim A in.	Dim B in.	Dim C in.	Dim D in.	Dim E in.	Dim F in.	Dim G in.	Parent Flow SCFM	Element Parent Flow SCFM
PPFVH150-2	Paper	2	2	FPT	10.25	0.75	8.75	5	0.75	7.62	9.25	175	290