

Air/Gas Filters - to 175 psig @ -20 to 200°F

Series P20- Enameled Carbon Steel ♦ Series P22- 304 Stainless

Precision Filtration Products

YOUR ONE **STOP** FOR FILTERS

- Intake Air Flows to 70,000 SCFM Std.
- ASME U Stamp Std., Nat'l. Board Registered
- Low Pressure Drop
- Maximum Useful Filter Area and Dirt Holding Capacity
- Hinged Swing Bolt Closure, Easy Access, O Ring Seal
- 304SS Throat Safety Cages Standard
- ΔP Taps Standard
- Rugged Enameled Steel or 304SS Construction

These air and gas pipe line filters offer exceptional protection for compressed gas pipelines, air dryers, pneumatic controls, and other pipeline equipment. They are fabricated from rugged enameled carbon steel (series P20) or 304SS (series P22), designed, constructed, and stamped, in accordance with ASME Boiler and Pressure Vessel Code requirements for unfired pressure vessels. Any model can be readily modified at your request to more exactly fit your needs.

• **Standard Connection Sizes from 1" to 12"**

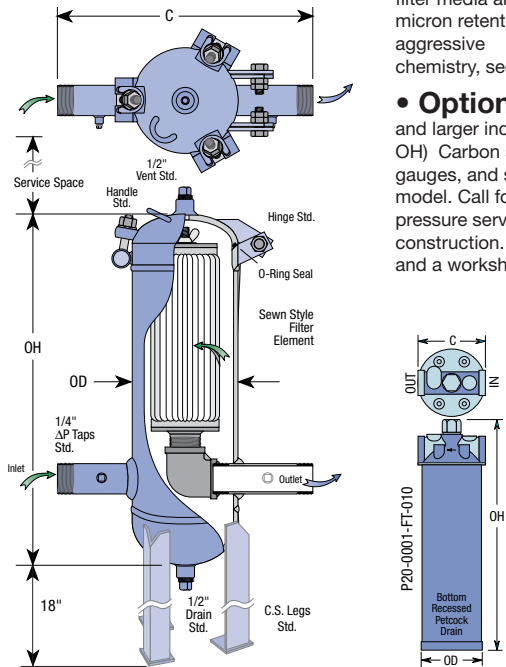
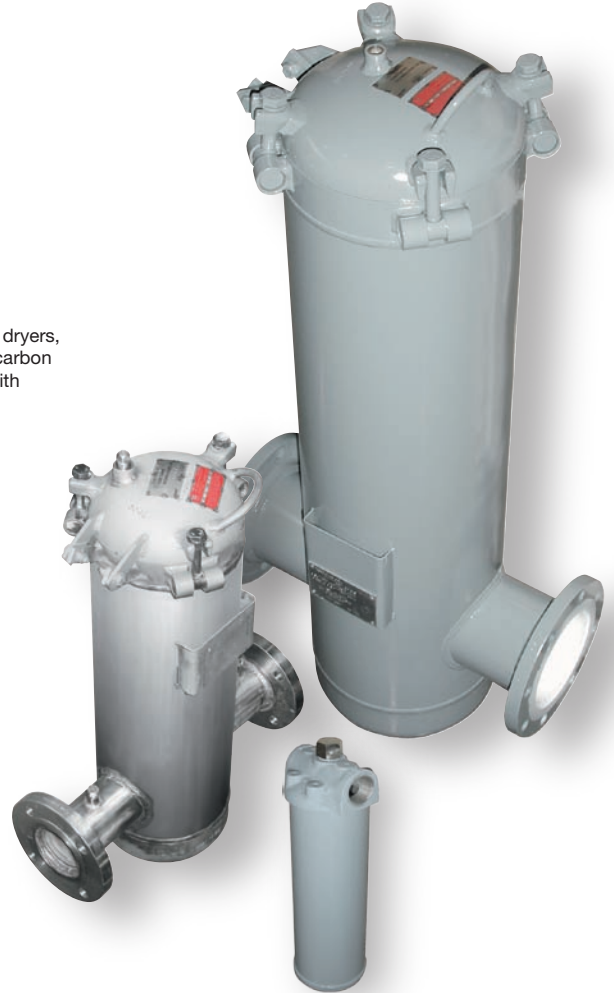
NPT or raised face flanges (RF) in-line connections are std. Alt. orientations & sizes are available upon request. A hinged swing bolt closure is standard on models P20-0002 & larger.

• **Recoverable Sewn or Rubber End Filter Elements.**

Classic radial fin textile media elements are unsurpassed for low ΔP, dirt holding capacity and efficiency. They stop particulates before they can move downstream. Select either recoverable 10μ Sewn End Filter Elements or 10μ long life low cost urethane rubber molded end elements, as your needs dictate to remove 98% of all airborne dust and dirt. Unlike PVC, our urethane rubber ends have no phthalate elastomers or other plasticizers. Dozens of alternative

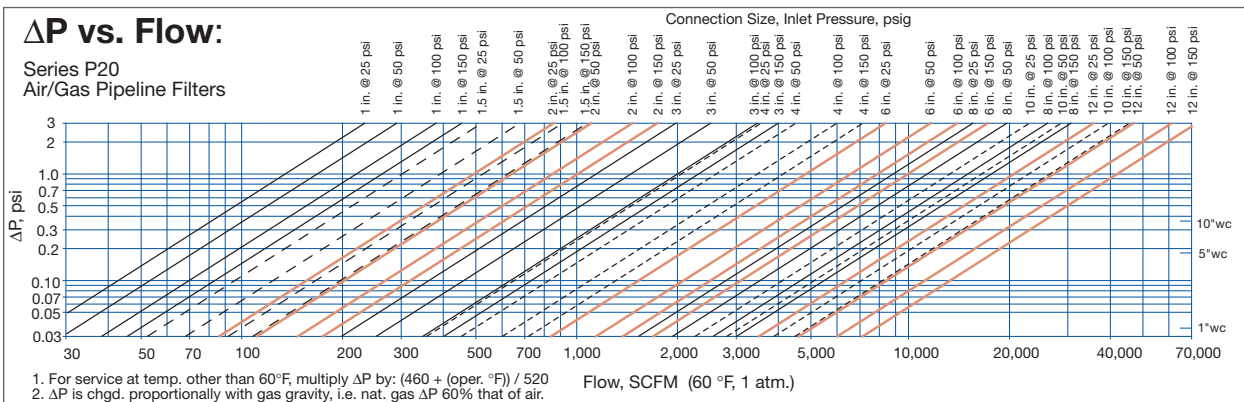
filter media are available for services having finer micron retentions, elevated temperatures and/or aggressive chemistry, see page 30.

- **Options:** Models P20-0202-RF-030 and larger include CS leg supports. (add 18" to OH) Carbon steel support legs in any length, gauges, and special finishes, are optional on any model. Call for information on vessels having other pressure services, 304SS, or other materials of construction. See pgs. 14 & 15 for more options and a worksheet to fax back to us.



Housing Model No. (for 304SS, chg P20 to P22)	Conn. Size	Conn. Type	Cover Style	Dimensions in Inches				Wgt. Lbs.	Select Filter Element	
				OD	OH	C	Serv. Space		Sewn End 10μ	New Rubber End, 10μ
*P20-0001-FT-010	1"	FPT	T-Top	3½	14¼	4	12	7	320-0443K5	321-2789K5
P20-0200-MT-015	1.5"	MPT	Swg Bit	6%	28	16	16	80	320-0525K5	321-3235K5
P20-0201-MT-020	2"	MPT	Swg Bit	8%	30	16	16	110	320-0526K5	321-3236K5
P20-0202-RF-030	3"	Flg.	Swg Bit	8%	39	20	24	130	320-0527K5	321-3237K5
P20-0203-RF-040	4"	Flg.	Swg Bit	10%	43	20	24	200	320-0528K5	321-3238K5
P20-0204-RF-060	6"	Flg..	Swg Bit	12%	52	24	26	280	320-0529K5	321-3239K5
P20-0205-RF-080	8"	Flg.	Swg Bit	16	67	28	36	475	320-0530K5	321-3240K5
P20-0206-RF-100	10"	Flg.	Swg Bit	20	74	32	36	750	320-0531K5	321-3241K5
P20-0207-RF-120	12"	Flg.	Swg Bit	24	82	36	39	900	320-0532K5	321-3242K5

*ASME Code Stamp not available on this model, ΔP Taps Not Available MAWP=250 psig @ 200°F



Precision Filtration Products • P.O. Box 218 Pennsburg, PA 18073

Phone: 215-679-6645 Fax: 215-679-6648 E-mail: sales@precisionfiltration.com web site: www.precisionfiltration.com