

# 21 and 22 Series Cartridges



Facet 21 and 22 Series filter cartridges provide long service life and high solids holding capacity with no unloading characteristics. The filter cartridges remove solids from aqueous liquids.

## STANDARD DESIGN FEATURES

- Recommended maximum operating temperature: 240°F
- Maximum differential pressure: 75 psi
- pH range from 5 to 9
- Flow direction: Outside to in

## MATERIALS

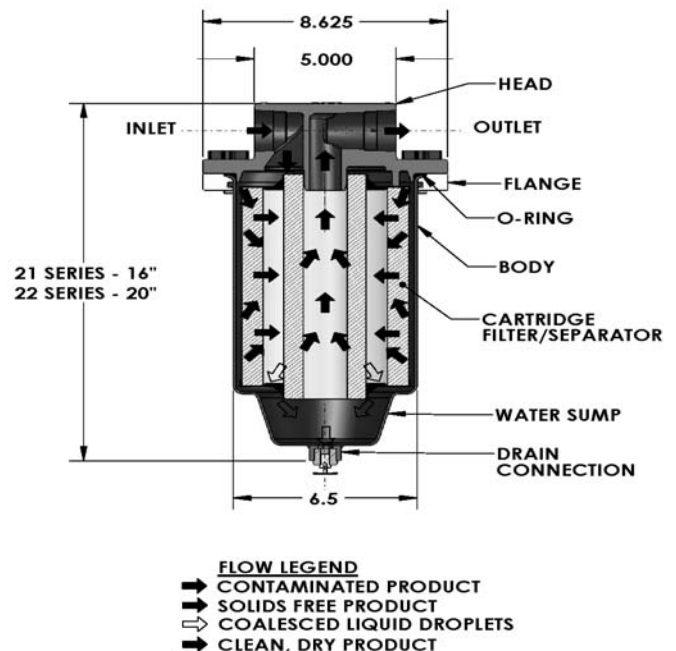
- Carbon steel structural components
- All metal components coated to protect against corrosion
- Standard gaskets are Buna-N—other materials available on request

## DATA

MODEL NUMBER	OUTSIDE DIAMETER		NOMINAL LENGTH		SHIPPING WEIGHT	
	in.	mm.	in.	mm.	lbs.	kgs.
<b>21 SERIES</b>						
CF-609-2PLO	6	152	9	230	4	1.8
<b>22 SERIES</b>						
CF-612-2PLO	6	152	12	300	6	2.7

## FLOW RATES

MODEL NUMBER	JET FUEL				AV-GAS			
	INITIAL ΔP		FLOW		INITIAL ΔP		FLOW	
	psi	kPa	gpm	lpm	psi	kPa	gpm	lpm
<b>21 SERIES</b>								
CF-609-2PLO	2.1	14.5	45	170	1.2	8.3	45	170
<b>22 SERIES</b>								
CF-612-2PLO	3.1	21.4	60	227	1.6	11.0	60	227



*Due to our continuing program of improvement, specifications are subject to change without notice.*