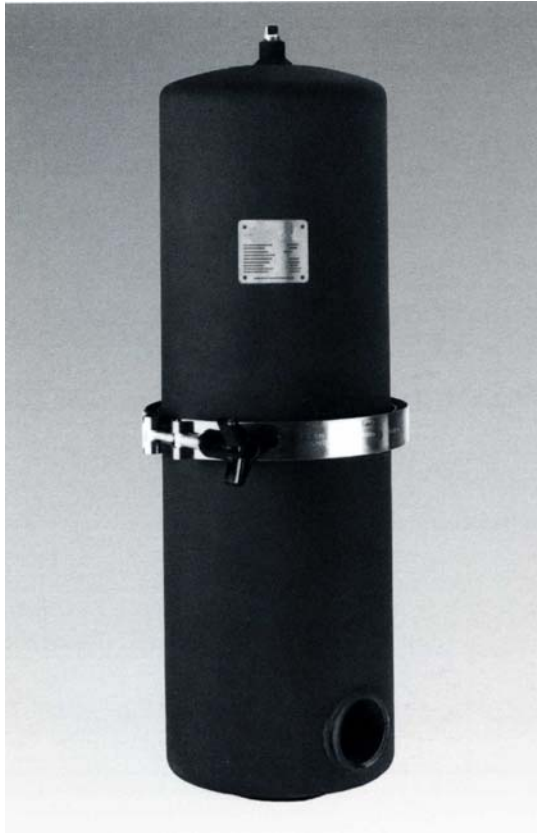


1MCM Series Filter Housings



SUPERIOR IN-LINE FILTRATION PROTECTION FOR LOW FLOW RATES

The 1MCM Series single-element filter housing provides excellent filtration when used with any M Series single-length cartridge. This housing is designed for applications where space may be limited. The V-Band closure allows easy maintenance. To remove the cartridge, a clearance of 25 5/16" (643 mm) is required.

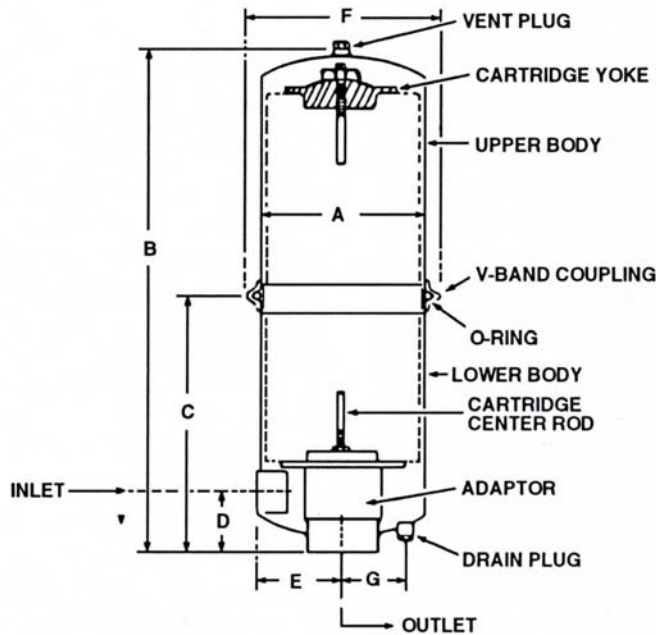
STANDARD HOUSING DESIGN

- Body: Carbon Steel
- Designed for 150 psi (10.5 kg/cm²) @ 250°F (121°C)
- Closure: Stainless Steel V-Band
- Exterior: Shop Primer
- Inlet and outlet connections: 1 1/2" NPT
- Vent and drain connections: 1/4" NPT

OPTIONS

- Internal epoxy coating

1MCM Series Filter Housings



DATA

| HOUSING MODEL NUMBER | HOUSING WEIGHT | | HOUSING LIQUID VOLUME | |
|----------------------|----------------|------|-----------------------|------|
| | lbs. | Kgs. | Gal. | Ltr. |
| 1MCM | 22 | 10 | 2.7 | 10.2 |

Weights and volumes are approximate.

DIMENSIONS

| A | | B | | C | | D | | E | | F | | G | |
|-------|-----|---------|-----|--------|-----|-------|----|-------|----|-------|-----|-------|----|
| in. | mm | in. | mm | in. | mm | in. | mm | in. | mm | in. | mm | in. | mm |
| 6 5/8 | 168 | 21 9/16 | 548 | 10 3/4 | 273 | 2 5/8 | 67 | 3 3/8 | 86 | 7 1/4 | 184 | 2 3/8 | 60 |

All dimensions are for estimating purposes only.