

Model 88, 100 PSI Bag Housing

The 100 PSI Liquid Bag Housing offers a quality vessel for lower pressure applications. Our 100 PSI vessel has a flat base and includes all of the favorable features of our standard 150 PSI vessel.

FEATURES

- Carbon or 304 stainless steel construction
- 100 PSI pressure rating
- Low pressure drop
- Quick swing closure with eye nuts
- Buna seals - lid & basket
- Differential, drain, and vent ports
- Adjustable support legs
- 304 stainless steel strainer basket
- 2-inch female NPT connection

Our 100 PSI vessel effectively removes dirt, pipe scale, and other contaminants from process liquids such as water, chemical, and petroleum products. Quality construction and design assure protection for all down-stream equipment.

VESSEL CONSTRUCTION

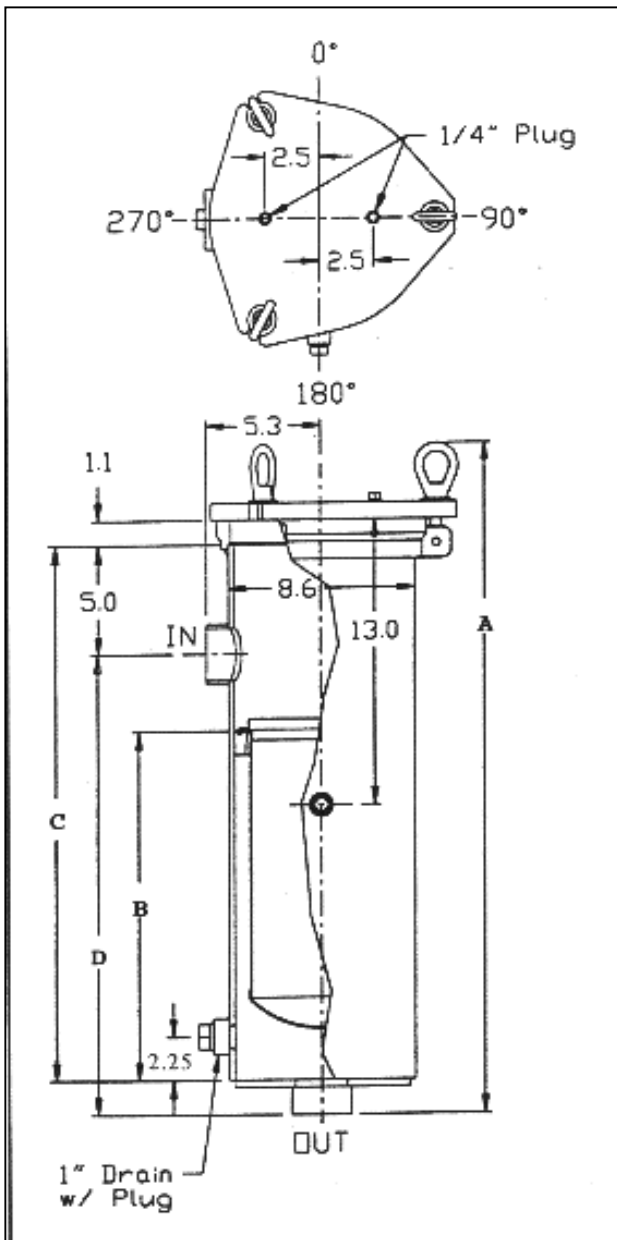
Our model 88, 100 PSI vessel is designed for operating up to 100 PSI at 300 degrees Fahrenheit. The housing design provides a large sump area at the bottom of the basket for dirt and scale accumulation. This design utilizes the filter more efficiently and prolongs the element life.

The **basket** seals onto an o-ring to eliminate particulate bypass between the basket and seat. Optional **mesh-lined strainer baskets** and **o-rings** are available. Please refer to their individual brochures in our liquid catalog.

A **vent** and a **gauge port** in the housing lid and a **drain port** in the housing speed evacuation and filling. Permanently piped housings are opened with simple tools without disturbing the piping. **Swing bolts** with eye-nuts allow easy opening and closing of the swing-lid. No need to remove any hardware.

As a standard finish, all vessels are blast cleaned and painted inside and out with a **2-part epoxy**. Stainless steel vessels are supplied with a satin finish.





	Basket Depth	
	15"	30"
A	30.6	42.1
B	16	27.5
C	24.5	36
D	21	32.6

SPECIFICATIONS

Housing lid has a 3-bolt swing closure with a vent and gauge port. Connections are 2 inch NPT with a side inlet and bottom outlet.

Housing is supplied with two differential pressure ports to measure the differential pressure across the filter bag. A two-part epoxy finish is applied on the carbon steel vessels to maximize the life of the housing; stainless steel vessels are supplied with a satin finish. Basket material is manufactured from 304 stainless steel with 9/64" perforations to act as a strainer or to accept a #1 or #2 size liquid bag. Basket seals onto a Viton o-ring in the basket support.

Adjustable tripod leg assembly is supplied with housing. Vessels are rated at a 100 pounds per square inch design.

Building a Part Number for Model 88 – 100PSI

Description: Model 88, 15" basket, 2" NPT connection, outlet style A (bottom), carbon steel construction and 100 PSI rating.

L88	15	2	N	A	C	10
Housing Model #	Basket Size (in.)	Conn. Size (in.)	Conn Type	Outlet Location	Material	PSI
L88	15 (#1) 30 (#2)	2	NPT=N	Style=A	Carbon=C 304SS=4	100 = 10

Adjustable support legs have 12" bolt circle and a 16" height adjustment.

Precision **F**iltration **P**roducts
 YOUR ONE  FOR FILTERS.

Distributed By: